

UNDERGROUND TANK D2900

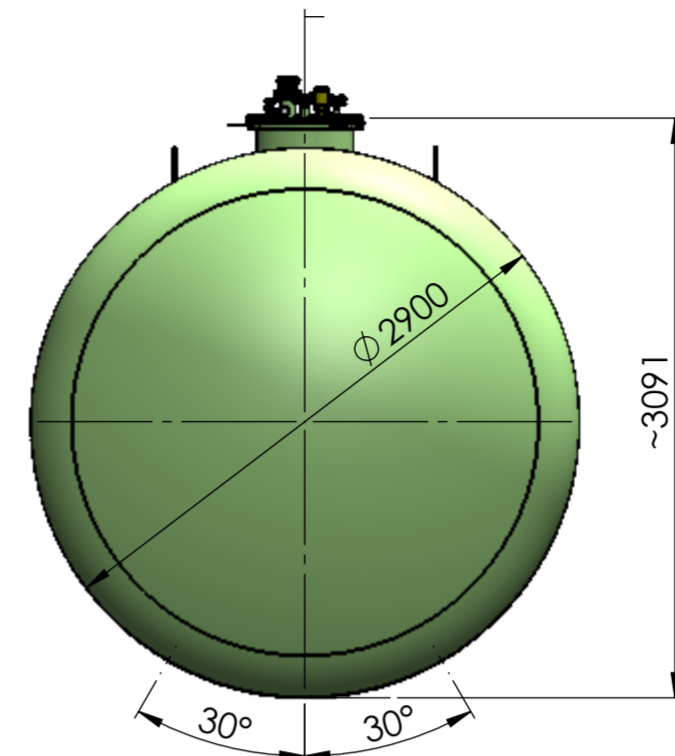
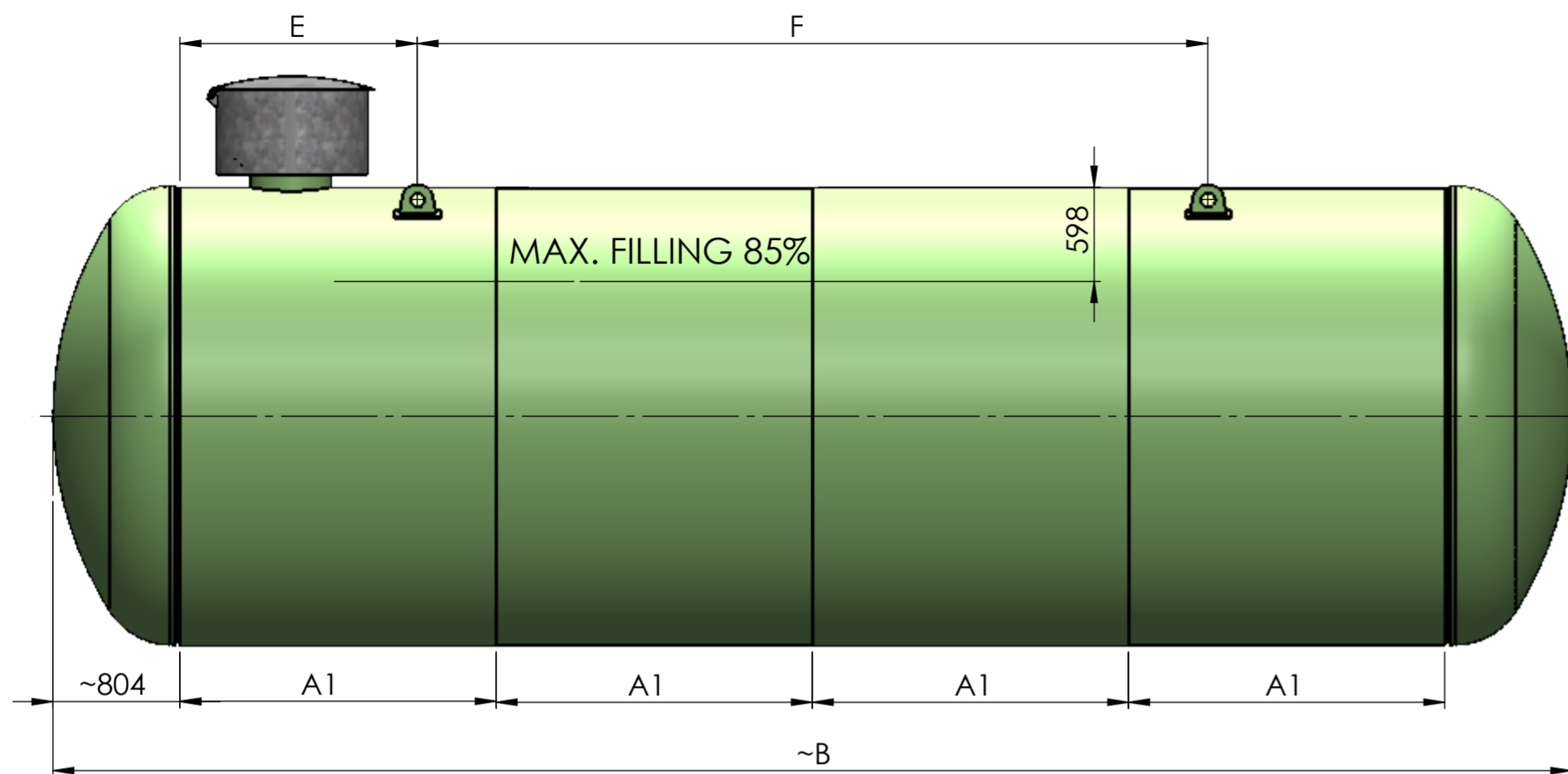


TABLE OF TANK VOLUMES AND BASIC DIMENSIONS

VOLUME (ltr)	A1 (mm)	A2 (mm)	QUANTITY A (ks)	B (mm)	C (mm)	D (mm)	E (mm)	F (mm)	WEIGHT (kg)
32700	2000		2	~5450	x	x	600	2800	5184
39200		2500	2	~6450	x	x	600	3800	6054
55500		2500	3	~8950	x	x	1200	5100	8230
58700	2000		4	~9450	x	x	1500	5000	8662
71700	2000		5	~11450	x	x	2250	5400	10406
78200	2000	2500	3+2	~12450	x	x	2250	6400	11380
87900		2500	5	~13950	x	x	2800	6900	12581
97700	2000		7	~15450	x	x	4300	5400	13887
104200		2500	6	~16450	x	x	4050	6900	14576
110700	2000		8	~17450	x	x	4300	7400	15627
120400		2500	7	~18950	x	x	4050	9400	16932

DESIGN OPTIONS

MAX. WORKING PRESSURE	TESTING PRESSURE	MAX. WORKING TEMPERATURES
12,1 BAR	17,3 BAR	-20/+30 °C (-40/+30 °C)
15,6 BAR	22,3 BAR	-20/+40 °C (-40/+40 °C)
16,7 BAR	23,9 BAR	-20/+45 °C (-40/+45 °C)
17,6 BAR	25,2 BAR	-20/+50 °C (-40/+50 °C)

STANDARD DESIGN ACCORDING TO EN ISO 12542_A1, AD2000, PED 2014/68/EU

MAXIMUM WORKING PRESSURE: 15,6 bar
 TESTING PRESSURE: 22,3 bar
 WORKING TEMPERATURES: -20/+40°C
 MAXIMUM FILLING: 85 %
 CORROSION ALLOWANCE: 0 mm
 WELD FACTOR MAXIMUM WORKING PRESSURE: 1

WELDED JOINTS EVALUATION ACCORDING TO AD-HP0

ADDITIONAL WELDING MATERIALS:
 WELDS 135 - WIRE 1,2 mm EN ISO 14341_A
 WELDS 121 - WIRE 3,0 mm EN ISO 14171_A
 WELDS 141 - WIRE 2,0 mm EN ISO 636_A

SURFACE FINISH:
 SAND BLASTED Sa 2,5
 EPOXY COATED MIN.1000µm,
 ACCORDING TO DIN 4681/3, ISO TEST 25kV
 RAL 6017

VALVES

FITTINGS	NAME	MANUFACTURER	TYPE	TANK CONECTION
GAS PHASE	SERVICE VALVE			2.0402
GAS PHASE	GLOBE AND ANGLE VALVES	REGO/FAS	A7505P	3/4"NPT
GAS PHASE	GLOBE AND ANGLE VALVES	REGO/FAS	A7506P	3/4"NPT
GAS PHASE	GLOBE AND ANGLE VALVES	REGO/FAS	A7509BP	5/4"NPT
GAS PHASE	GLOBE AND ANGLE VALVES	REGO/FAS	A7510BP	5/4"NPT
GAS PHASE	GLOBE AND ANGLE VALVES	REGO/FAS	A7513AP	2"NPT
GAS PHASE	GLOBE AND ANGLE VALVES	REGO/FAS	A7514AP	2"NPT
LIQUID PHASE	GLOBE AND ANGLE VALVES	REGO/FAS	A7505P	3/4"NPT
LIQUID PHASE	GLOBE AND ANGLE VALVES	REGO/FAS	A7506P	3/4"NPT
LIQUID PHASE	WITHDRAWAL VALVE	REGO/FAS	A8017DP	5/4"NPT
LIQUID PHASE	GLOBE AND ANGLE VALVES	REGO/FAS	A7509BP	5/4"NPT
LIQUID PHASE	GLOBE AND ANGLE VALVES	REGO/FAS	A7510BP	5/4"NPT
LIQUID PHASE	GLOBE AND ANGLE VALVES	REGO/FAS	A7513AP	2"NPT
LIQUID PHASE	GLOBE AND ANGLE VALVES	REGO/FAS	A7514AP	2"NPT
LIQUID PHASE	GLOBE AND ANGLE VALVES	REGO/FAS	A7517AP	3"NPT
LIQUID PHASE	GLOBE AND ANGLE VALVES	REGO/FAS	A7518AP	3"NPT
FILLING VAR.1	DOUBLE FILLER VALVE	REGO/FAS	6587EC	2"NPT
FILLING VAR.1	SINGLE FILLER VALVE	REGO/FAS	6584C	2"NPT
FILLING VAR.1	DOUBLE FILLER VALVE	REGO/FAS	3197C	3"NPT
FILLING VAR.1	SINGLE FILLER VALVE	REGO/FAS	3194C	3"NPT
FILLING VAR.2	GLOBE VALVE	REGO/FAS	A7513AP	2"NPT
	ADAPTER 2 1/4"ACME	REGO/FAS	5767H	2.0402
	CAP 2 1/4"ACME	REGO/FAS	3184-90	2.0402
FILLING VAR.2	GLOBE VALVE	REGO/FAS	A7517AP	3"NPT
	ADAPTER 3 1/4"ACME	REGO/FAS	5769K	2.0402
	CAP 3 1/4"ACME	REGO/FAS	3194-90	2.0402
LEVEL GAUGE	SENIOR	ROCHESTER/FAS		FLANGE
LEVEL GAUGE	MAGNETEL	ROCHESTER/FAS	6301	FLANGE
LEVEL GAUGE	ROTARY GAUGE	REGO/FAS	A9093RS	1"NPT
MAX. FILLING	VENT VALVES	REGO/FAS	3165C	1/4"NPT
MAX. FILLING	VENT VALVES	REGO/FAS	TSS3169	1/4"NPT
SAFETY VALVE	PRESSURE RELIEF VALVE	REGO/FAS	A8434G	2"NPT
SAFETY VALVE	PRESSURE RELIEF VALVE	REGO/FAS	A8436G	3"NPT

STANDARD VALVES SET

