

OVERGROUND TANK D2900

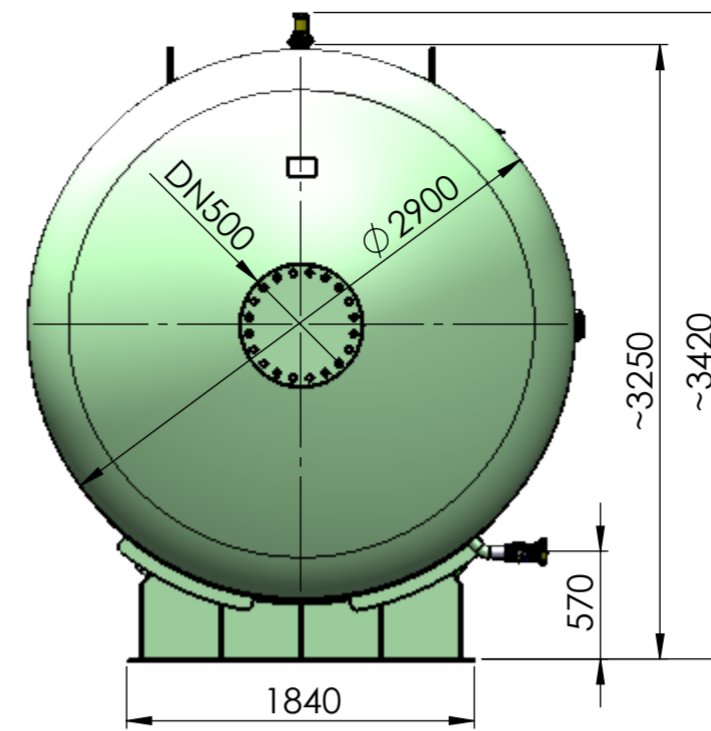
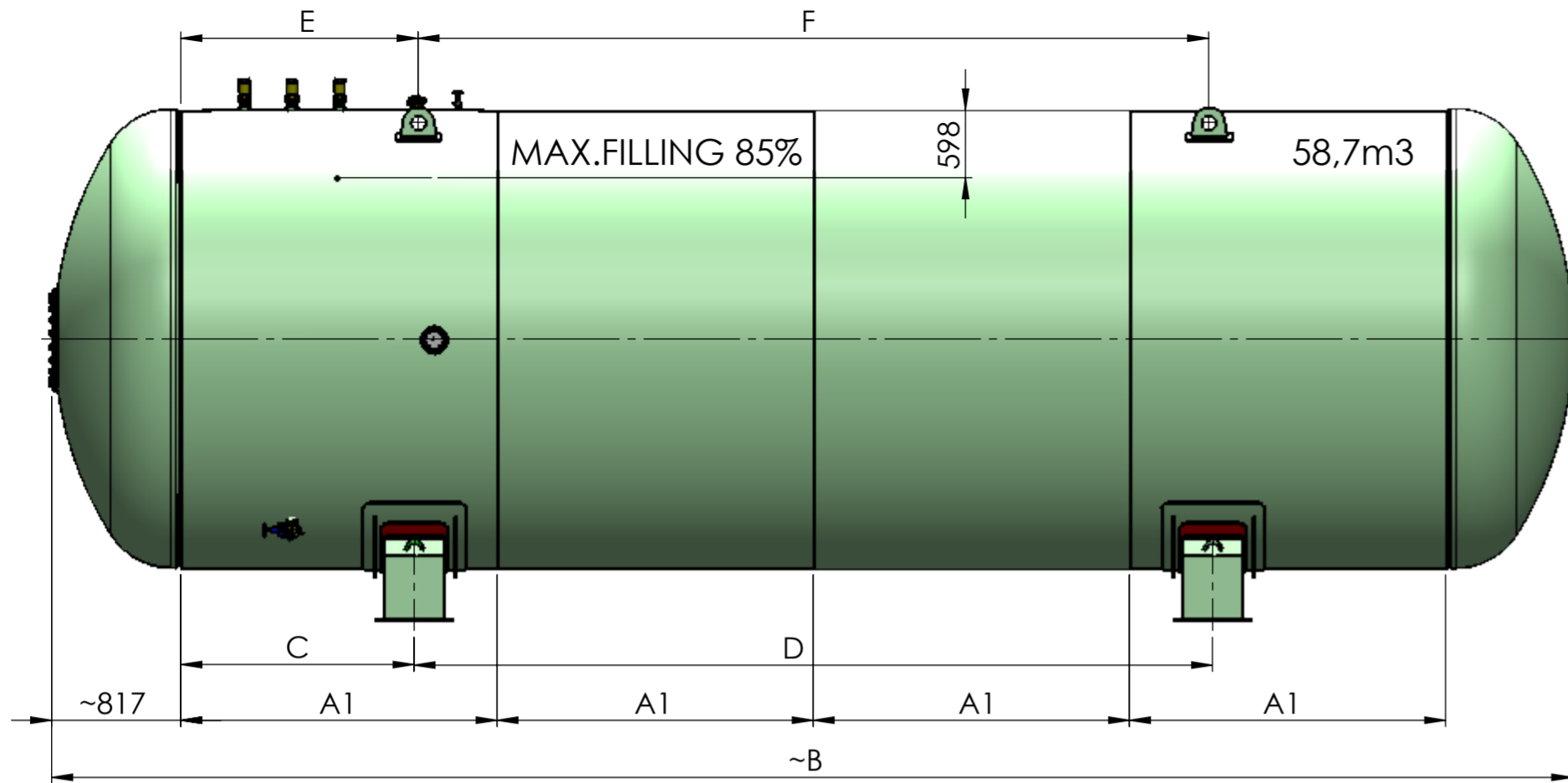


TABLE OF TANK VOLUMES AND BASIC DIMENSIONS

VOLUME (ltr)	A1 (mm)	A2 (mm)	QUANTITY A (pcs)	B (mm)	C (mm)	D (mm)	E (mm)	F (mm)	WEIGHT (kg)
32700	2000		2	5550	1125	1750	600	2800	5769
39200		2500	2	6550	1125	2750	600	3800	6695
45700	2000		3	7550	1125	3750	600	4800	7529
55500		2500	3	9050	1575	4350	1200	5100	8835
58700	2000		4	9550	1475	5050	1500	5000	9270
71700	2000		5	11550	1475	2x3525	2250	5400	11353
78200	2000	2500	3+2	12550	1475	2x4025	2250	6400	12156
87900		2500	5	14050	1575	2x4675	2800	6900	13452
97700	2000		7	15550	1475	2x5525	4300	5400	14757
104200		2500	6	16550	1325	3x4115	4050	6900	15893
110700	2000		8	17550	1475	3x4220	4300	7400	16764
120400		2500	7	19050	1325	3x4500	4050	9400	18069

DESING OPTIONS

MAX. WORKING PRESSURE	TESTING PRESSURE	MAX. WORKING TEMPERATURES
15,6 BAR	22,3 BAR	-20/+40 °C (-40/+40 °C)
16,7 BAR	23,9 BAR	-20/+45 °C (-40/+45 °C)
17,6 BAR	25,2 BAR	-20/+50 °C (-40/+50 °C)

STANDARD DESIGN ACCORDING TO EN ISO 12542_A1, AD2000, PED 2014/68/EU

MAXIMUM WORKING PRESSURE: 15,6 bar
 TESTING PRESSURE: 22,3 bar
 DESIGN WORKING TEMPERATURES: -20/+40°C
 MAXIMUM FILLING: 85 %
 CORROSION ALLOWANCE: 0 mm
 WELD FACTOR: 1
 WELDED JOINTS EVALUATION ACCORDING TO AD-HP0

ADDITIONAL WELDING MATERIALS:
 WELDS 135 - WIRE 1,2 mm EN ISO 14341_A
 WELDS 121 - WIRE 3,0 mm EN ISO 14171_A
 WELDS 141 - WIRE 2,0 mm EN ISO 636_A

SURFACE FINISH:
 SAND BLASTED Sa 2.5
 POLYURETHANE COATING MIN.120µm
 RAL 9010 (RAL 6019, RAL 258 010)

VALVES

FITTINGS	NAME	MANUFACTURER	TYPE	TANK CONECTION
GAS PHASE	SERVICE VALVE			2.0402
GAS PHASE	GLOBE AND ANGLE VALVES	REGO/FAS	A7505P	3/4"NPT
GAS PHASE	GLOBE AND ANGLE VALVES	REGO/FAS	A7506P	3/4"NPT
GAS PHASE	GLOBE AND ANGLE VALVES	REGO/FAS	A7509BP	5/4"NPT
GAS PHASE	GLOBE AND ANGLE VALVES	REGO/FAS	A7510BP	5/4"NPT
GAS PHASE	GLOBE AND ANGLE VALVES	REGO/FAS	A7513AP	2"NPT
GAS PHASE	GLOBE AND ANGLE VALVES	REGO/FAS	A7514AP	2"NPT
LIQUID PHASE	GLOBE AND ANGLE VALVES	REGO/FAS	A7505P	3/4"NPT
LIQUID PHASE	GLOBE AND ANGLE VALVES	REGO/FAS	A7506P	3/4"NPT
LIQUID PHASE	WITHDRAWAL VALVE	REGO/FAS	A8017DP	5/4"NPT
LIQUID PHASE	GLOBE AND ANGLE VALVES	REGO/FAS	A7509BP	5/4"NPT
LIQUID PHASE	GLOBE AND ANGLE VALVES	REGO/FAS	A7510BP	5/4"NPT
LIQUID PHASE	GLOBE AND ANGLE VALVES	REGO/FAS	A7513AP	2"NPT
LIQUID PHASE	GLOBE AND ANGLE VALVES	REGO/FAS	A7514AP	2"NPT
LIQUID PHASE	GLOBE AND ANGLE VALVES	REGO/FAS	A7517AP	3"NPT
LIQUID PHASE	GLOBE AND ANGLE VALVES	REGO/FAS	A7518AP	3"NPT
FILLING VAR.1	DOUBLE FILLER VALVE	REGO/FAS	6587EC	2"NPT
FILLING VAR.1	SINGLE FILLER VALVE	REGO/FAS	6584C	2"NPT
FILLING VAR.1	DOUBLE FILLER VALVE	REGO/FAS	3197C	3"NPT
FILLING VAR.1	SINGLE FILLER VALVE	REGO/FAS	3194C	3"NPT
FILLING VAR.2	GLOBE VALVE	REGO/FAS	A7513AP	2"NPT
	ADAPTER 2 1/4"ACME	REGO/FAS	5767H	2.0402
	CAP 2 1/4"ACME	REGO/FAS	3184-90	2.0402
FILLING VAR.2	GLOBE VALVE	REGO/FAS	A7517AP	3"NPT
	ADAPTER 3 1/4"ACME	REGO/FAS	5769K	2.0402
	CAP 3 1/4"ACME	REGO/FAS	3194-90	2.0402
LEVEL GAUGE	SENIOR	ROCHESTER/FAS		FLANGE
LEVEL GAUGE	MAGNETEL	ROCHESTER/FAS	6301	FLANGE
LEVEL GAUGE	ROTARY GAUGE	REGO/FAS	A9093RS	1"NPT
MAX. FILLING	VENT VALVES	REGO/FAS	3165C	1/4"NPT
MAX. FILLING	VENT VALVES	REGO/FAS	TSS3169	1/4"NPT
SAFETY VALVE	PRESSURE RELIEF VALVE	REGO/FAS	A8434G	2"NPT
SAFETY VALVE	PRESSURE RELIEF VALVE	REGO/FAS	A8436G	3"NPT

