

OVERGROUND TANK D2510

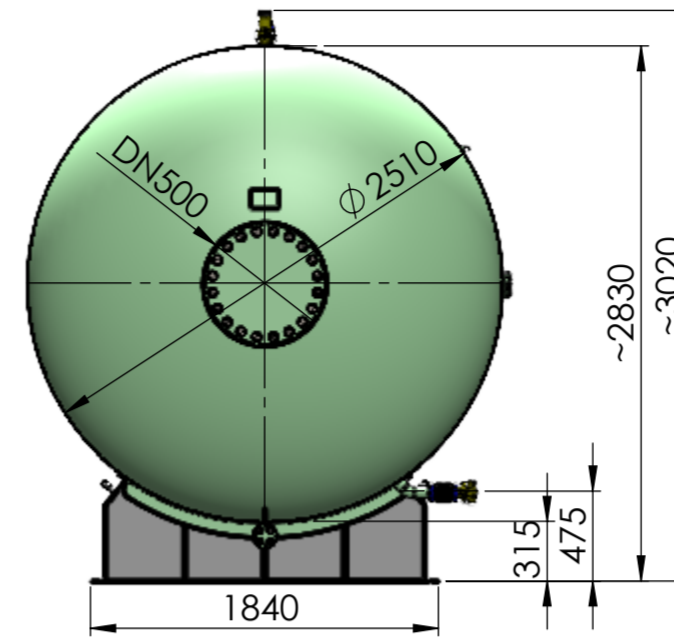
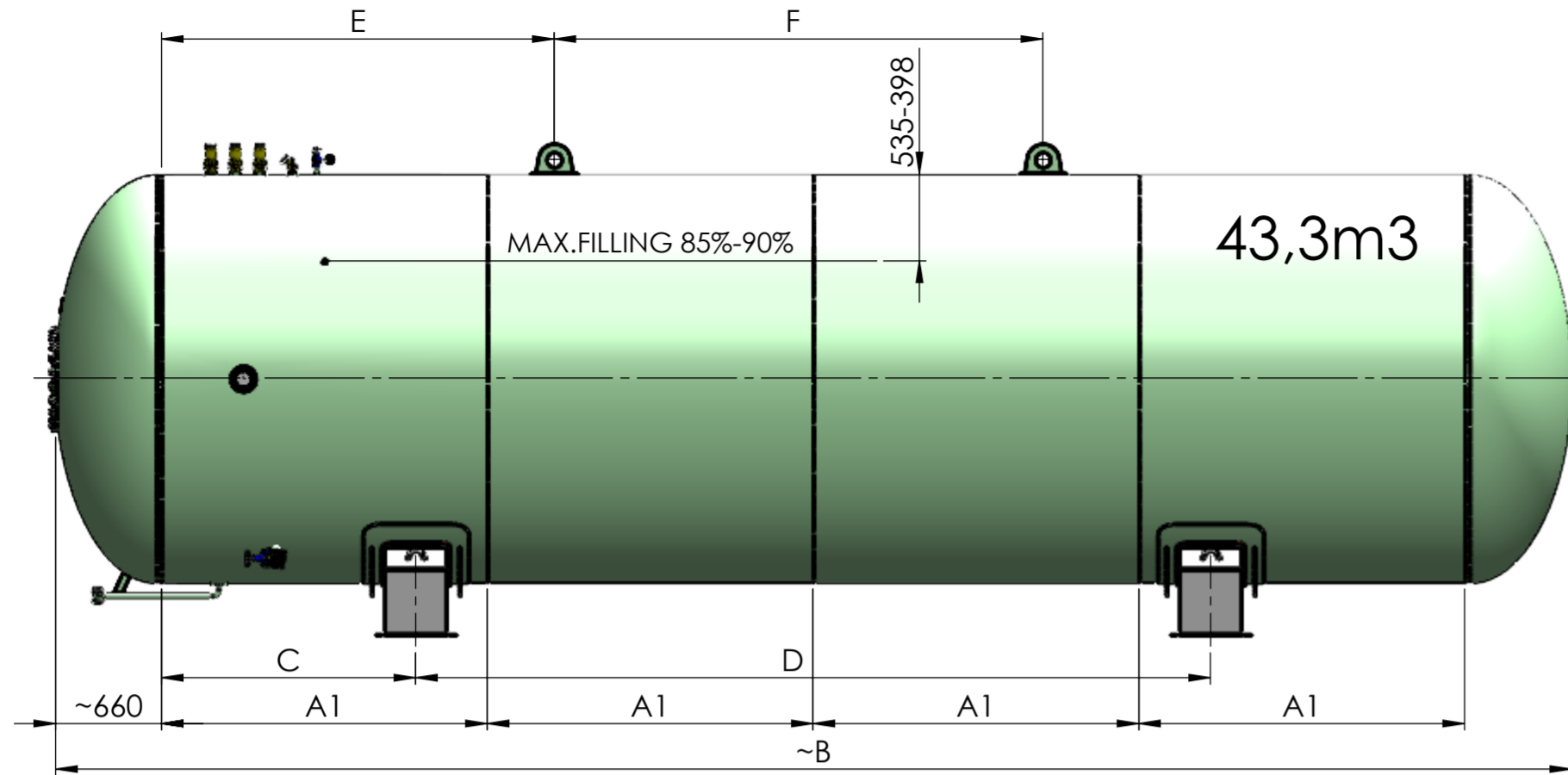


TABLE OF TANK VOLUMES AND BASIC DIMENSIONS

VOLUME (ltr)	A1 (mm)	A2 (mm)	QUANTITY A (pcs)	B (mm)	C (mm)	D (mm)	E (mm)	F (mm)	WEIGHT (kg)
23800	2000		2	~5340	1125	1750	1450	1100	4670
26200	2000	2500	1+1	~5840	1125	2250	1450	1600	4975
28600		2500	2	~6340	1225	2550	1500	2000	5360
33500	2000		3	~7340	1325	3400	1600	2800	5900
35900	2000	2500	2+1	~7840	1000	4000	1600	3300	6200
38400	2000	2500	1+2	~8340	1525	3950	1525	4000	6510
40800		2500	3	~8840	1225	5050	1500	4500	6890
43300	2000		4	~9340	1500	5000	2410	3000	7115
45700	2000	2500	3+1	~9840	1500	5500	1600	5300	7425
48100	2000	2500	2+2	~10340	1500	6000	1700	5600	7730
50600	2000	2500	1+3	~10840	1525	6450	1500	6500	8040
53000	2000		5	~11340	2100	5200	2100	5200	8345
55400	2000	2500	4+1	~11840	1500	2x3750	2800	4900	8725
57900	2000	2500	3+2	~12340	1500	2x4000	2850	5300	8960
60300	2000	2500	2+3	~12840	1500	2x4250	2950	5600	9265
62700	2000		6	~13340	2100	2x3600	2100	7200	9570
65200	2000	2500	5+1	~13840	2500	2x4000	2800	6900	9950
67600	2000	2500	4+2	~14340	1500	2x5000	2800	7400	10255
70000	2000	2500	3+3	~14840	1500	2x5300	2850	7800	10560

DESING OPTIONS

MAX. WORKING PRESSURE	TESTING PRESSURE	MAX. WORKING TEMPERATURES
15,6 BAR	22,3 BAR	-20/+40 °C (-40/+40 °C)
16,7 BAR	23,9 BAR	-20/+45 °C (-40/+45 °C)
17,6 BAR	25,2 BAR	-20/+50 °C (-40/+50 °C)

STANDARD DESIGN ACCORDING TO EN ISO 12542_A1, AD2000, PED 2014/68/EU

MAXIMUM WORKING PRESSURE: 15,6 bar
 TESTING PRESSURE: 22,3 bar
 DESIGN WORKING TEMPERATURES: -20/+40°C
 MAXIMUM FILLING: 85 %
 CORROSION ALLOWANCE: 0 mm
 WELD FACTOR: 1
 WELDED JOINTS EVALUATION ACCORDING TO AD-HP0

ADDITIONAL WELDING MATERIALS:
 WELDS 135 - WIRE 1,2 mm EN ISO 14341_A
 WELDS 121 - WIRE 3,0 mm EN ISO 14171_A
 WELDS 141 - WIRE 2,0 mm EN ISO 636_A

SURFACE FINISH:
 SAND BLASTED Sa 2.5
 POLYURETHANE COATING MIN.120µm
 RAL 9010 (RAL 6019, RAL 258 010)

VALVES

FITTINGS	NAME	MANUFACTURER	TYPE	TANK CONECTION
GAS PHASE	SERVICE VALVE			2.0402
GAS PHASE	GLOBE AND ANGLE VALVES	REGO/FAS	A7505P	3/4"NPT
GAS PHASE	GLOBE AND ANGLE VALVES	REGO/FAS	A7506P	3/4"NPT
GAS PHASE	GLOBE AND ANGLE VALVES	REGO/FAS	A7509BP	5/4"NPT
GAS PHASE	GLOBE AND ANGLE VALVES	REGO/FAS	A7510BP	5/4"NPT
GAS PHASE	GLOBE AND ANGLE VALVES	REGO/FAS	A7513AP	2"NPT
GAS PHASE	GLOBE AND ANGLE VALVES	REGO/FAS	A7514AP	2"NPT
LIQUID PHASE	GLOBE AND ANGLE VALVES	REGO/FAS	A7505P	3/4"NPT
LIQUID PHASE	GLOBE AND ANGLE VALVES	REGO/FAS	A7506P	3/4"NPT
LIQUID PHASE	WITHDRAWAL VALVE	REGO/FAS	A8017DP	5/4"NPT
LIQUID PHASE	GLOBE AND ANGLE VALVES	REGO/FAS	A7509BP	5/4"NPT
LIQUID PHASE	GLOBE AND ANGLE VALVES	REGO/FAS	A7510BP	5/4"NPT
LIQUID PHASE	GLOBE AND ANGLE VALVES	REGO/FAS	A7513AP	2"NPT
LIQUID PHASE	GLOBE AND ANGLE VALVES	REGO/FAS	A7514AP	2"NPT
LIQUID PHASE	GLOBE AND ANGLE VALVES	REGO/FAS	A7517AP	3"NPT
LIQUID PHASE	GLOBE AND ANGLE VALVES	REGO/FAS	A7518AP	3"NPT
FILLING VAR.1	DOUBLE FILLER VALVE	REGO/FAS	6587EC	2"NPT
FILLING VAR.1	SINGLE FILLER VALVE	REGO/FAS	6584C	2"NPT
FILLING VAR.1	DOUBLE FILLER VALVE	REGO/FAS	3197C	3"NPT
FILLING VAR.1	SINGLE FILLER VALVE	REGO/FAS	3194C	3"NPT
FILLING VAR.2	GLOBE VALVE	REGO/FAS	A7513AP	2"NPT
	ADAPTER 2 1/4"ACME	REGO/FAS	5767H	2.0402
	CAP 2 1/4"ACME	REGO/FAS	3184-90	2.0402
FILLING VAR.2	GLOBE VALVE	REGO/FAS	A7517AP	3"NPT
	ADAPTER 3 1/4"ACME	REGO/FAS	5769K	2.0402
	CAP 3 1/4"ACME	REGO/FAS	3194-90	2.0402
LEVEL GAUGE	SENIOR	ROCHESTER/FAS		FLANGE
LEVEL GAUGE	MAGNETEL	ROCHESTER/FAS	6301	FLANGE
LEVEL GAUGE	ROTARY GAUGE	REGO/FAS	A9093RS	1"NPT
MAX. FILLING	VENT VALVES	REGO/FAS	3165C	1/4"NPT
MAX. FILLING	VENT VALVES	REGO/FAS	TSS3169	1/4"NPT
SAFETY VALVE	PRESSURE RELIEF VALVE	REGO/FAS	A8434G	2"NPT
SAFETY VALVE	PRESSURE RELIEF VALVE	REGO/FAS	A8436G	3"NPT

